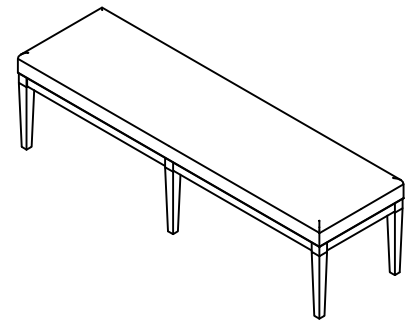


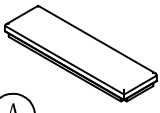
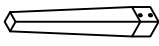





Warning :

- Be sure to check all packing material carefully for small parts, which may have come loose inside the carton during shipment.
- To prevent possible scratches and damage, this furniture must be assembled on a soft surface such as a blanket or carpet.

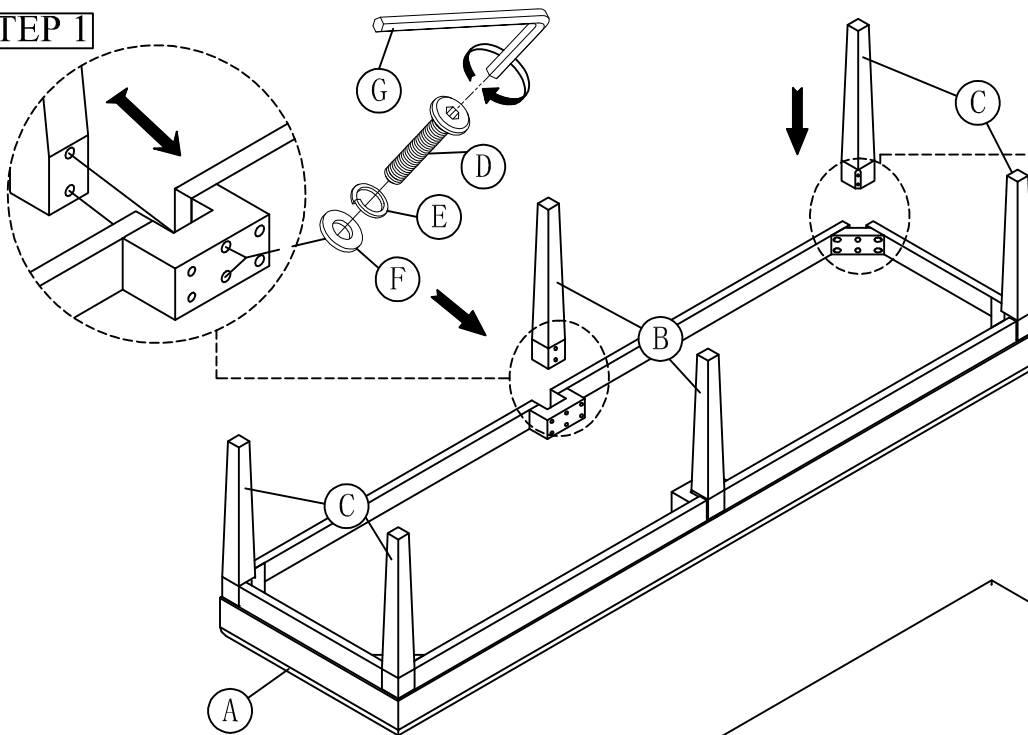


91059
Dining Bench

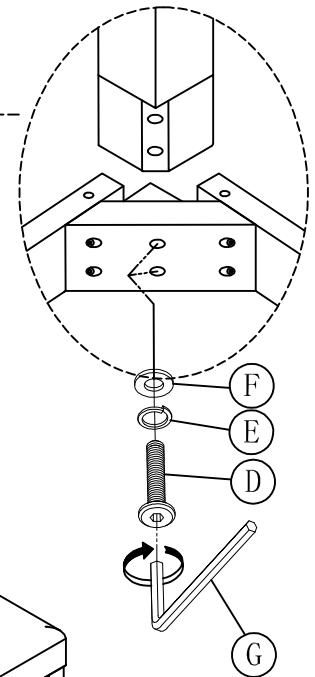
Components and Hardware List

<p>Seat Cushion</p>  <p>(A) 1 pc.</p>	<p>Center Leg</p>  <p>(B) 2 pcs.</p>	<p>Side Leg</p>  <p>(C) 4 pcs.</p>	<p>Allen Head Bolt Ø5/16"-18 x 2-1/4"</p>  <p>(D) 12 pcs.</p>	<p>Spring Washer Ø5/16"x Ø13</p>  <p>(E) 12 pcs.</p>
<p>Flat Washer Ø5/16"x Ø19</p>  <p>(F) 12 pcs.</p>	<p>Allen Key M4 x 2-1/2"</p>  <p>(G) 1 pc.</p>			

STEP 1



STEP 2



Complete

